

ADJUSTABLE HYDRAULIC SERIES

OEM SERIES

HP SERIES

유압

조정형 모델

특 성



조정다이얼의 회전으로 전 범위에 걸쳐 조정 가능함



스트로크 전반을 통한 일정한 충격력 감소의 효과



나사식 본체로 인한 체결 용이성 및 원활한 열발산



어떠한 환경에서는 완벽하게 작동하는 Oil
표준유 : -10~80°C, 특수유 : -30~100°C



긴수명, 높은 에너지 용량,
니켈크롬 도금으로 신뢰성 향상



다양한 종류의 크기와 넓은 범위의
에너지 흡수 용량



엄격하고 정밀한 품질관리로 긴 수명보장



사용자의 주문사양에 따른 설계와
제작 공급이 가능함(CBOEM)



OEM 소형 Series OEM 0.1M ~ OEM 1.25M
LROEM 소형 Series 저속용 전문 모델



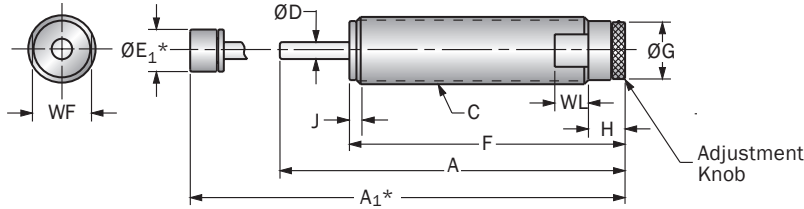
OEM 소형 Series OEMXT1.5M ~ OEM 4.0M
LROEM 대형 Series 저속용 전문 모델



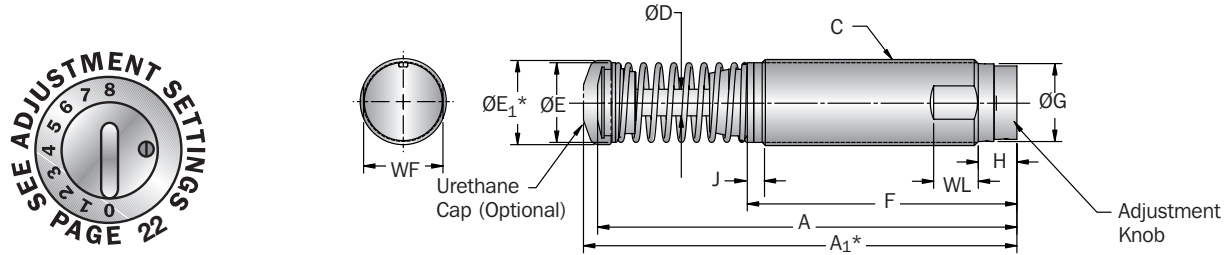
HP 소형 Series HP 110MF~ HP 110MC
고속형 전문 모델 최고 속도 6.1m/sec

Adjustable Hydraulic Series OEM Platinum

OEM 0.1M → OEM 1.0M



OEM 1.15M → OEM 1.25M



Catalog No. (Model)	Bore Size (mm)	(S) Stroke (mm)	Optimal Velocity Range (m/sec)	(E _T) Max. Nm/cycle	(E _T -C) Max. Nm/hour	(F _p) Max. Shock Force (N)	Nominal Coil Spring Force		(F _D) Max. Propelling Force (N)	Model Weight (g)
							Extended (N)	Compressed (N)		
OEM .1M (B)	6,1	7,0	0,3-3,30	5,5	12 400	1 220	2,2	4,4	350	28
OEM .15M (B)	6,4	10,0	0,3-3,30	5,5	19 000	890	3,5	7,5	350	56
OEM .25M (B)	6,4	10,0	0,3-3,30	5,5	20 000	890	3,5	7,5	350	56
LROEM .25M (B)	6,4	10,0	0,08-1,30	5,5	20 000	890	3,5	7,5	440	56
OEM .35M (B)	7,1	12,0	0,3-3,30	17,0	34 000	2 000	4,9	9,8	540	85
LROEM .35M (B)	7,1	12,0	0,08-1,30	17,0	34 000	2 000	4,9	9,8	900	85
OEM .5M (B)	11,0	12,0	0,3-4,50	28,0	32 000	3 500	5,8	12,4	670	141
LROEM .5M (B)	11,0	12,0	0,08-1,30	28,0	32 000	3 500	8,9	17,0	1 120	141
OEM 1.0M (B)	12,7	25,0	0,3-3,30	74,0	70 000	4 400	13,0	26,0	1 330	285
OEM 1.0MF (B)	12,7	25,0	0,3-3,30	74,0	70 000	4 400	13,0	26,0	1 330	285
LROEM 1.0M (B)	12,7	25,0	0,08-1,30	74,0	70 000	4 400	13,0	26,0	2 016	285
LROEM 1.0MF (B)	12,7	25,0	0,08-1,30	74,0	70 000	4 400	13,0	26,0	2 016	285
OEM 1.15M x 1	16,0	25,0	0,3-3,30	195,0	75 700	11 120	56,0	89,0	2 220	482
LROEM 1.15M x 1	16,0	25,0	0,08-2,0	195,0	75 700	11 120	56,0	89,0	3 335	482
OEM 1.15M x 2	16,0	50,0	0,3-3,30	385,0	98 962	11 120	31,0	89,0	2 220	708
LROEM 1.15M x 2	16,0	50,0	0,8-2,0	385,0	98 962	11 120	31,0	89,0	3 335	708
OEM 1.25M x 1	16,0	25,0	0,3-3,30	195,0	91 000	11 120	56,0	89,0	2 220	567
LROEM 1.25M x 1	16,0	25,0	0,8-2,0	195,0	91 000	11 120	56,0	89,0	3 335	567
OEM 1.25M x 2	16,0	50,0	0,3-3,30	385,0	111 400	11 120	31,0	89,0	2 220	737
LROEM 1.25M x 2	16,0	50,0	0,8-2,0	385,0	111 400	11 120	31,0	89,0	3 335	737

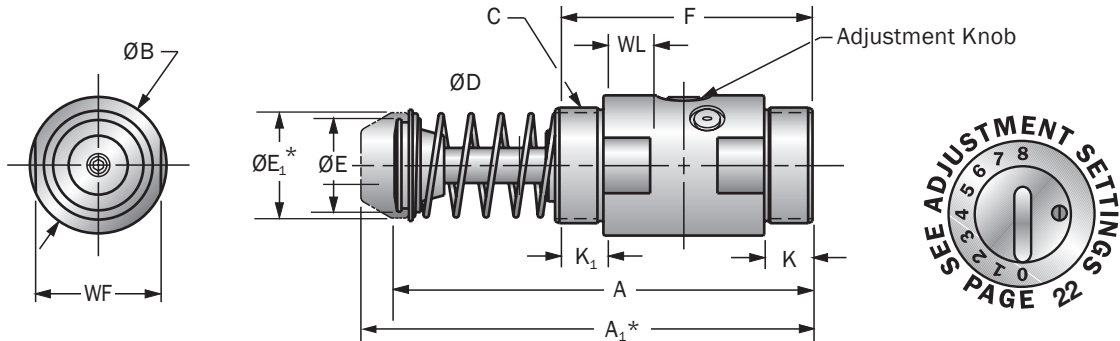
All dimensions in millimeters.

Catalog No. (Model)	A	A ₁	C	D	E	E ₁	F	G	H	WF	WL
OEM 0.1M (B)	57,0	67,0	M10 x 1,0	3,0	—	8,6	49,4	8,6	10,2	—	—
OEM .15M (B)	81,8	91,7	M12 x 1,0	3,3	—	8,6	71,4	10,9	14,2	11,0	9,7
(LR)OEM .25M (B)	81,8	91,2	M14 x 1,5	3,3	—	11,2	71,4	10,9	14,2	12,0	12,7
(LR)OEM .35M (B)	100,6	110,7	M16 x 1,5	4,0	—	11,2	87,4	11,2	14,5	14,0	12,7
(LR)OEM .5M (B)	98,6	110,5	M20 x 1,5	4,8	—	12,7	84,1	16,0	17,0	18,0	12,7
(LR)OEM 1.0M (B)	130,0	142,7	M27 x 3,0	6,4	—	15,8	104,0	22,0	14,0	23,0	12,7
(LR)OEM 1.0MF (B)	130,0	142,7	M25 x 1,5	6,4	—	15,8	104,0	22,0	14,0	23,0	12,7
(LR)OEM 1.15M x 1	150,0	155,5	M33 x 1,5	9,5	29,0	30,5	97,0	28,0	14,0	30,0	16,0
(LR)OEM 1.15M x 2	217,0	222,0	M33 x 1,5	9,5	29,0	30,5	138,0	28,0	14,0	30,0	16,0
(LR)OEM 1.25M x 1	150,0	155,5	M36 x 1,5	9,5	29,0	30,5	97,0	28,0	14,0	33,0	16,0
(LR)OEM 1.25M x 2	217,0	222,0	M36 x 1,5	9,5	29,0	30,5	138,0	28,0	14,0	33,0	16,0

All dimensions in millimeters.

Adjustable Hydraulic Series OEM Low Profile

OEM 3/4 → OEM 1 1/8



Catalog No. (Model)	Bore Size (mm)	(S) Stroke (mm)	Optimal Velocity Range (m/sec)	(E _T) Max. Nm/cycle	(E _T -C) Max. Nm/hour	(F _D) Max. Shock Force (N)	Nominal Coil Spring Force		(F _D) Max. Propelling Force (N)	Model Weight (kg)
							Extended (N)	Compressed (N)		
OEM 3/4 x 1	20	25,0	0,3-3,5	260	126 000	13 000	49	68	2 890	1,2
LROEM 3/4 x 1	20	25,0	0,08-1,3	260	126 000	13 000	49	68	6 660	1,2
OEM 3/4 x 2	20	50,0	0,3-3,5	520	167 000	13 000	32	68	2 890	1,3
LROEM 3/4 x 2	20	50,0	0,08-1,3	520	167 000	13 000	49	80	6 660	1,3
OEM 3/4 x 3	20	75,0	0,3-3,5	780	201 000	13 000	32	80	2 890	1,6
LROEM 1 1/8 x 1	30	25,0	0,08-0,8	680	226 000	34 500	115	155	17 790	2,9
OEM 1 1/8 x 2	30	50,0	0,3-3,5	1 360	271 000	34 500	76	155	6 660	4,5
LROEM 1 1/8 x 2	30	50,0	0,08-0,8	1 360	271 000	34 500	76	155	17 760	4,5
OEM 1 1/8 x 4	30	100,0	0,3-3,5	2 710	362 000	34 500	79	160	6 660	5,3
OEM 1 1/8 x 6	30	150,0	0,3-3,5	4 070	421 000	34 500	90	285	6 660	6,6

All dimensions in millimeters.

Catalog No. (Model)	A	A ₁	B	C	D	E	E ₁	F	K	K ₁	WF	WL
OEM 3/4 x 1	144	162	58	1 3/4 - 12 UN	13	38	44	92	23	21	51	10
LROEM 3/4 x 1	144	162	58	1 3/4 - 12 UN	13	38	44	92	23	21	51	10
OEM 3/4 x 2	195	213	58	1 3/4 - 12 UN	13	38	44	118	23	21	51	12
LROEM 3/4 x 2	195	213	58	1 3/4 - 12 UN	13	38	44	118	23	21	51	12
OEM 3/4 x 3	246	264	58	1 3/4 - 12 UN	13	38	44	143	23	21	51	12
LROEM 1 1/8 x 1	175	193	77	2 1/2 - 12 UN	19	50	57	114	26	26	70	12
OEM 1 1/8 x 2	226	243	77	2 1/2 - 12 UN	19	50	57	140	26	26	70	25
LROEM 1 1/8 x 2	226	243	77	2 1/2 - 12 UN	19	50	57	140	26	26	70	25
OEM 1 1/8 x 4	328	345	77	2 1/2 - 12 UN	19	50	57	191	26	26	70	25
OEM 1 1/8 x 6	456	473	77	2 1/2 - 12 UN	19	60	60	241	26	26	70	25

*주의 : OEM SHOCK ABSORBER는 모두 최대 에너지의 5% 이상에서 완벽하게 작동합니다. 만일 5% 미만이면 적은 모델로 대체하십시오.

All dimensions in millimeters.

SHOCK ABSORBER

NEW PRODUCT

W R I S O L A T O R

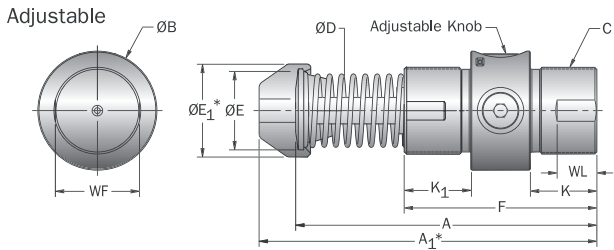
A I R S P R I N G

O T H E R

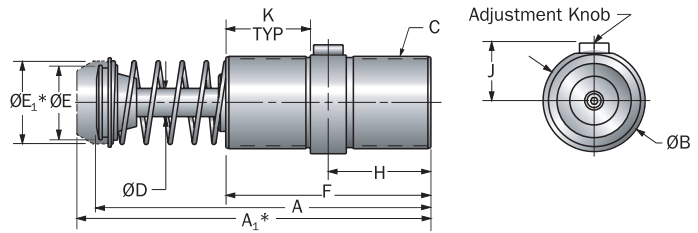
Adjustable Hydraulic Series OEM Large / HP

OEM LARGE

OEM XT1.5M → OEM 4.0M



OEM 3.0M → OEM 4.0M



Catalog No. (Model)	Bore Size (mm)	(S) Stroke (mm)	Optimal Velocity Range (m/sec)	(E _T) Max. Nm/cycle	(E _T C) Max. Nm/hour	(F _p) Max. Shock Force (N)	Nominal Coil Spring Force		Max. Propelling Force (N)	Model Weight (kg)
							Extended (N)	Compressed (N)		
OEM XT 1.5M x 1	20	25	0,3-3,5	416	126000	19900	49	68	2890	1.2
LROEM XT 1.5M x 1	20	25	0,08-1,3	416	126000	19900	49	68	6660	1.2
OEM XT 1.5M x 2	20	50	0,3-3,5	832	167000	19900	32	68	2890	1.7
LROEM XT 1.5M x 2	20	50	0,08-1,3	832	167000	19900	49	80	6660	1.7
OEM XT 1.5M x 3	20	75	0,3-3,5	1276	201000	19900	32	80	2890	2.1
LROEM 1.5M x 3	20	75	0,3-3,5	780	201000	13000	32	80	2890	2.1
OEM XT 2.0M x 2	30	50	0,3-3,5	2219	271000	51000	76	155	6660	3.6
LROEM XT 2.0M x 2	30	50	0,08-0,8	2219	271000	51000	69	160	17760	3.6
OEM XT 2.0M x 4	30	100	0,3-3,5	4430	362000	51000	69	160	6660	4.9
LROEM 2.0M x 4	30	100	0,08-0,8	2710	362000	34500	69	160	17760	4.9
OEM XT 2.0M x 6	30	150	0,3-3,5	6660	421000	51000	90	285	6660	6.4
OEM 3.0M x 2	40	50	0,3-4,3	2300	372000	67000	110	200	12000	7.0
OEM 3.0M x 3.5	40	90	0,3-4,3	4000	652000	67000	110	200	12000	9.1
OEM 3.0M x 5	40	125	0,3-4,3	5700	933000	67000	71	200	12000	10.9
OEM 3.0M x 6.5	40	165	0,3-4,3	7300	1215000	67000	120	330	12000	13.6
OEM 4.0M x 2	50	50	0,3-4,3	3800	1503000	111000	225	290	21000	15.0
OEM 4.0M x 4	50	100	0,3-4,3	7700	1808000	111000	155	290	21000	18.2
OEM 4.0M x 6	50	150	0,3-4,3	11500	2102000	111000	135	310	21000	20.0
OEM 4.0M x 8	50	200	0,3-4,3	15400	2407000	111000	180	355	21000	30.0
OEM 4.0M x 10	50	250	0,3-4,3	19200	2712000	111000	135	355	21000	33.0

HP

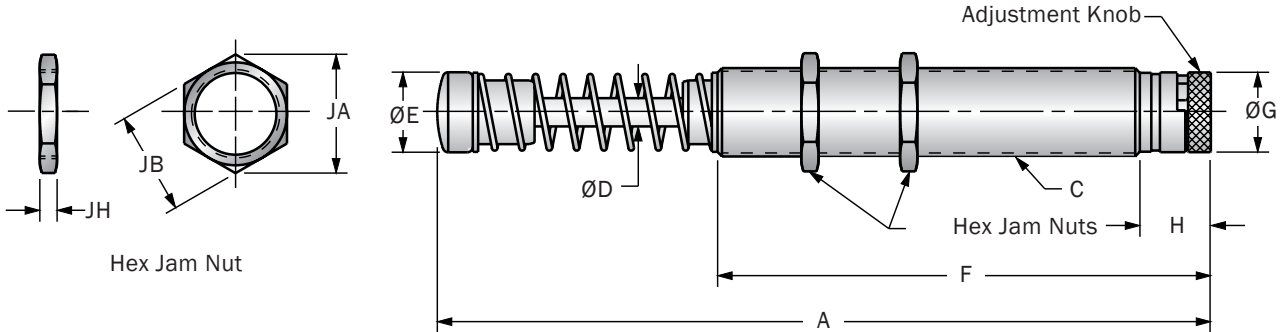
Catalog No. (Model)	Bore Size (mm)	(S) Stroke (mm)	Optimal Velocity Max. Range (m/sec)	(E _T) Max. Nm/cycle	(E _T C) Max. Nm/hour	(F _p) Max. Shock Force (N)	Nominal Coil Spring Force		(F _D) Max. Propelling Force (N)	Model Weight (g)
							Extended (N)	Compressed (N)		
HP110 MF-1	14	40	4,0 – 6,0	190	75 000	7 500	18	49	2 200	454
HP110 MF-2	14	40	2,0 – 4,5	190	75 000	7 500	18	49	2 200	454
HP110 MF-3	14	40	0,75 – 3,0	190	75 000	7 500	18	49	2 200	454
HP110 MC-1	14	40	4,0 – 6,0	190	75 000	7 500	18	49	2 200	454
HP110 MC-2	14	40	2,0 – 4,5	190	75 000	7 500	18	49	2 200	454
HP110 MC-3	14	40	0,75 – 3,0	190	75 000	7 500	18	49	2 200	454

All dimensions in millimeters.

Adjustable Hydraulic Series OEM Large / HP

OEM LARGE

HP 110MF / MC



Catalog No. (Model)	A	A ₁	B	C	D	E	E ₁	F	H	J	K	K ₁	WF	WL	(S) Stroke (mm)
OEM XT 1.5M x 1	144	162	57.2	M42 x 1.5	13	38	44	92	46	-	32	32	40.4	19.1	25
LROEM XT 1.5M x 1	144	162	57.2	M42 x 1.5	13	38	44	92	46	-	32	32	40.4	19.1	25
OEM XT 1.5M x 2	195	213	57.2	M42 x 1.5	13	38	44	118	59	-	45	45	40.4	19.1	50
LROEM XT 1.5M x 2	195	213	57.2	M42 x 1.5	13	38	44	118	59	-	45	45	40.4	19.1	50
OEM XT 1.5M x 3	246	264	57.2	M42 x 1.5	13	38	44	143	72	-	57	57	40.4	19.1	75
LROEM 1.5M x 3	246	264	57.2	M42 x 1.5	13	38	44	143	72	-	57	57	40.4	19.1	75
OEM XT 2.0M x 2	226	243	76.2	M64 x 2	19	50	57	140	70	-	50	50	61.5	19.1	50
LROEM XT 2.0M x 2	226	243	76.2	M64 x 2	19	50	57	140	70	-	50	50	61.5	19.1	50
OEM XT 2.0M x 4	328	345	76.2	M64 x 2	19	50	57	191	96	-	76	76	61.5	19.1	100
LROEM 2.0M x 4	328	345	76.2	M64 x 2	19	50	57	191	96	-	76	76	61.5	19.1	100
OEM XT 2.0M x 6	456	473	76.2	M64 x 2	19	60	60	241	121	-	76	76	61.5	19.1	150
OEM 3.0M x 2	245	265	98	M85 x 2	22	69	76	140	70	58	51	-	-	-	50
OEM 3.0M x 3.5	323	343	98	M85 x 2	22	69	76	179	90	58	71	-	-	-	90
OEM 3.0M x 5	399	419	98	M85 x 2	22	69	76	217	109	58	71	-	-	-	125
OEM 3.0M x 6.5	494	514	98	M85 x 2	22	81	81	256	128	58	71	-	-	-	165
OEM 4.0M x 2	313	335	127	M115 x 2	35	88	95	203	102	74	80	-	-	-	50
OEM 4.0M x 4	414	436	127	M115 x 2	35	88	95	254	127	74	105	-	-	-	100
OEM 4.0M x 6	516	538	127	M115 x 2	35	88	95	305	153	74	108	-	-	-	150
OEM 4.0M x 8	643	665	127	M115 x 2	35	88	95	356	178	74	108	-	-	-	200
OEM 4.0M x 10	745	767	127	M115 x 2	35	88	95	406	203	74	108	-	-	-	250

HP

Catalog No. (Model)	A	C	D	E	F	G	H	JA	JB	JH	(S) Stroke (mm)
HP110 MF-1	215	M25 X 1,5	8	22	138	22	20	36,7	31,8	4,6	40
HP110 MF-2	215	M25 X 1,5	8	22	138	22	20	36,7	31,8	4,6	40
HP110 MF-3	215	M25 X 1,5	8	22	138	22	20	36,7	31,8	4,6	40
HP110 MC-1	215	M25 X 2,0	8	22	138	22	20	36,7	31,8	4,6	40
HP110 MC-2	215	M25 X 2,0	8	22	138	22	20	36,7	31,8	4,6	40
HP110 MC-3	215	M25 X 2,0	8	22	138	22	20	36,7	31,8	4,6	40

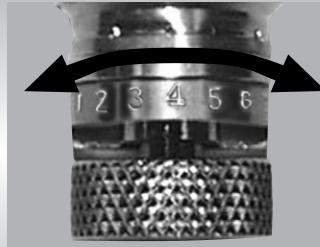
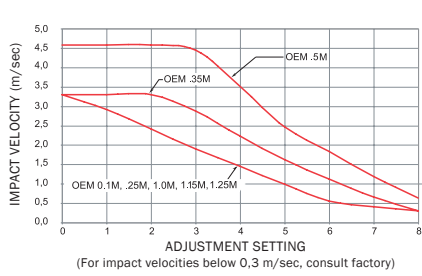
*주의 : OEM SHOCK ABSORBER는 모두 최대 에너지의 5% 이상에서 완벽하게 작동합니다. 만일 5% 미만이면 적은 모델로 대체하십시오.

Adjustable Hydraulic Series OEM/HP

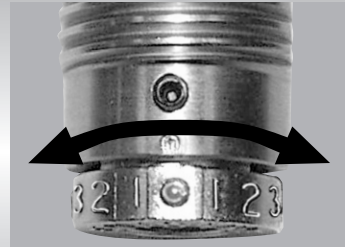
USEABLE ADJUSTMENT SETTINGS

충돌속도에 따른 다이얼 조정이 꼭 필요합니다.

Platinum OEM Small Series

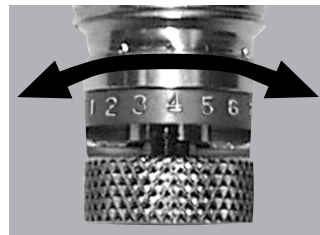
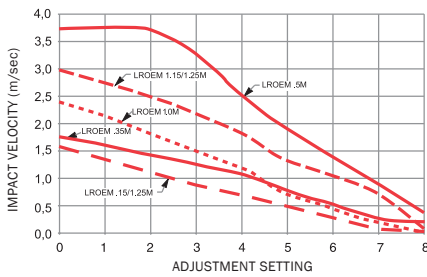


180° adjustment with setscrew locking. (OEM 0.1M – OEM .5M)



360° adjustment with setscrew locking. (OEM 1.0M)

Platinum Low Range OEM Small Series

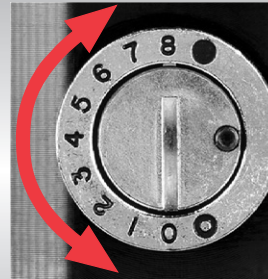
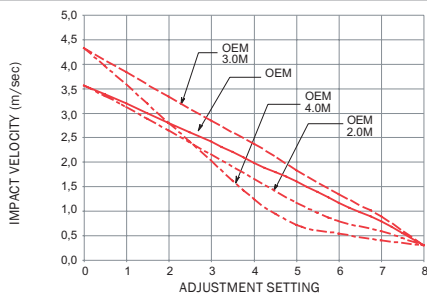


180° adjustment with setscrew locking. (LROEM .15M – LROEM .5M)

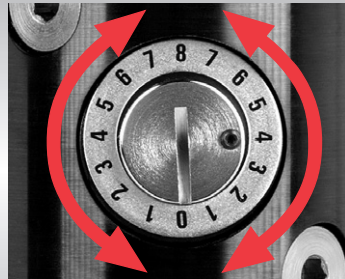


360° adjustment with setscrew locking. (LROEM 1.0M)

OEM Large

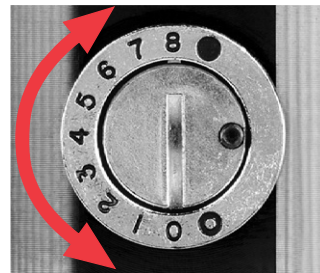
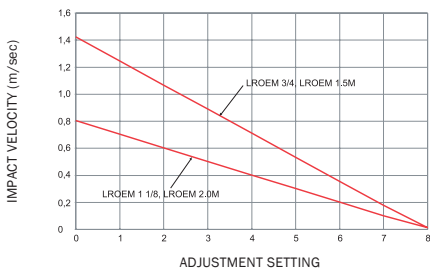


180° adjustment with setscrew locking. (OEM 1.5M – OEM 4.0M)

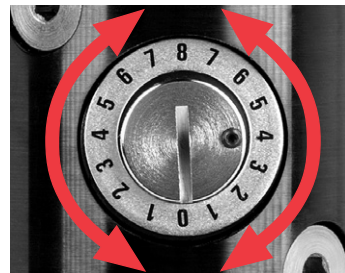


360° adjustment with setscrew locking. (OEM 3/4 and OEM 1 1/8)

Low Range OEM Large

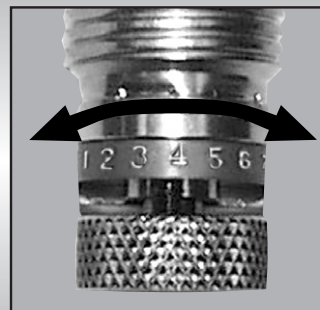
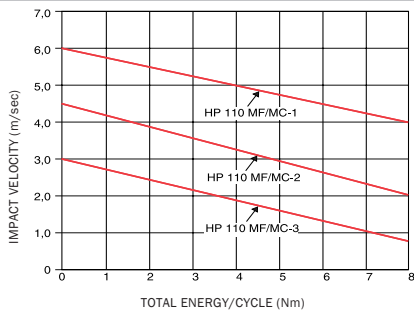


180° adjustment with setscrew locking (LROEM 1.5M and LROEM 2.0M)



360° adjustment with setscrew locking (LROEM 3/4 and LROEM 1 1/8)

HP 110MF/MC

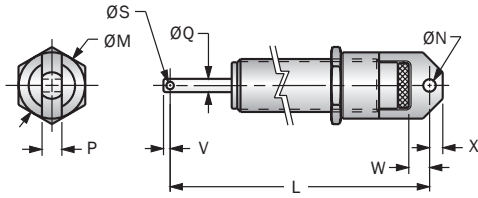


180° adjustment with setscrew locking

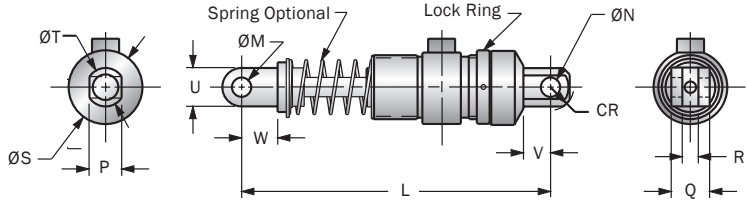
*주 의 : 충돌속도가 0.3mm/sec미만인 경우 본사에 의뢰하십시오.

Adjustable Hydraulic Series CLEVIS MOUNTING

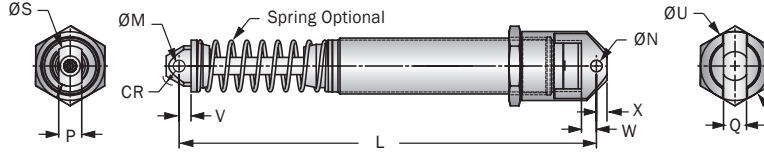
OEM 1.0M



OEM 3/4 → OEM 4.0M



OEM 1.15M → OEM 1.25M



Catalog No. (Model)	(S) Stroke (mm)	L	M	N	P	Q	R	S	T	U	W	V	X	CR	Model Weight
OEM .5M CMS	12	117,6	2,38 +0,13/0	6,02 +0,13/0	9,5 0/-0,3	4,8 0/-0,1	—	25,4	—	—	2,6	9,5	6,4	—	235 g
OEM 1.0M CMS	25	162,1	3,58 +0,13/0	6,02 +0,13/0	9,5 0/-0,3	6,4 0/-0,1	—	31,8	—	—	3,2	9,0	6,4	—	394 g
(LR)OEM 1.25M x 1 CM(S)	25	163,6	6,02 +0,13/0	6,02 +0,13/0	12,7 0/-0,3	12,7 0/-0,3	—	38,1	—	22,3	6,0	8,3	5,9	10,0	725 g
(LR)OEM 1.25M x 2 CM(S)	50	230,4	6,02 +0,13/0	6,02 +0,13/0	12,7 0/-0,3	12,7 0/-0,3	—	38,1	—	22,3	6,0	8,3	5,9	10,0	861 g
(LR)OEM ¾ x 1 CM(S)	25	199,0	9,60 +0,25/0	12,70 +0,25/0	19,0 0/-0,3	25,4	12,9 +0,5/0	51,0	25,4	25,0	26,0	22,0	—	15,0	1,59 kg
(LR)OEM ¾ x 2 CM(S)	50	250,0	9,60 +0,25/0	12,70 +0,25/0	19,0 0/-0,3	25,4	12,9 +0,5/0	51,0	25,4	25,0	26,0	22,0	—	15,0	1,72 kg
OEM ¾ x 3 CM(S)	75	300,0	9,60 +0,25/0	12,70 +0,25/0	19,0 0/-0,3	25,4	12,9 +0,5/0	51,0	25,4	25,0	26,0	22,0	—	15,0	1,95 kg
(LR)OEM 1½ x 2 CM(S)	50	306,0	19,07 +0,25/0	19,07 +0,25/0	31,7 0/-0,3	38,0	16,0 +0,5/0	73,0	38,0	38,0	36,0	26,0	—	23,0	5,30 kg
OEM 1½ x 4 CM(S)	100	408,0	19,07 +0,25/0	19,07 +0,25/0	31,7 0/-0,3	38,0	16,0 +0,5/0	73,0	38,0	38,0	36,0	26,0	—	23,0	6,08 kg
OEM 1½ x 6 CM(S)	150	537,0	19,07 +0,25/0	19,07 +0,25/0	31,7 0/-0,3	38,0	16,0 +0,5/0	73,0	38,0	38,0	36,0	26,0	—	23,0	7,39 kg
(LR)OEM XT 1.5M x 1 CM(S)	25	199,0	9,60 +0,25/0	12,70 +0,25/0	19,0 0/-0,3	25,4	12,9 +0,5/0	51,0	25,4	25,0	26,0	22,0	—	15,0	1,33 kg
(LR)OEM XT 1.5M x 2 CM(S)	50	250,0	9,60 +0,25/0	12,70 +0,25/0	19,0 0/-0,3	25,4	12,9 +0,5/0	51,0	25,4	25,0	26,0	22,0	—	15,0	14,1 kg
OEM XT 1.5M x 3 CM(S)	75	300,0	9,60 +0,25/0	12,70 +0,25/0	19,0 0/-0,3	25,4	12,9 +0,5/0	51,0	25,4	25,0	26,0	22,0	—	15,0	1,59 kg
(LR)OEM XT 2.0M x 2 CM(S)	50	306,0	19,07 +0,25/0	19,07 +0,25/0	31,7 0/-0,3	38,0	16,0 +0,5/0	73,0	38,1	38,0	36,0	26,0	—	23,0	4,26 kg
OEM XT 2.0M x 4 CM(S)	100	408,0	19,07 +0,25/0	19,07 +0,25/0	31,7 0/-0,3	38,0	16,0 +0,5/0	73,0	38,1	38,0	36,0	26,0	—	23,0	4,85 kg
OEM 2.0M x 6 CM(S)	150	537,0	19,07 +0,25/0	19,07 +0,25/0	31,7 0/-0,3	38,0	16,0 +0,5/0	73,0	38,1	38,0	36,0	26,0	—	23,0	5,85 kg
OEM 3.0M x 2 CM(S)	50	325,0	19,07 +0,25/0	19,07 +0,25/0	31,7 0/-0,3	38,0	16,0 +0,5/0	98,0	38,1	38,0	36,0	26,0	—	23,0	8,66 kg
OEM 3.0M x 3.5 CM(S)	90	402,0	19,07 +0,25/0	19,07 +0,25/0	31,7 0/-0,3	38,0	16,0 +0,5/0	98,0	38,1	38,0	36,0	26,0	—	23,0	10,70 kg
OEM 3.0M x 5 CM(S)	125	479,0	19,07 +0,25/0	19,07 +0,25/0	31,7 0/-0,3	38,0	16,0 +0,5/0	98,0	38,1	38,0	36,0	26,0	—	23,0	12,52 kg
OEM 3.0M x 6.5 CM(S)	165	574,0	19,07 +0,25/0	19,07 +0,25/0	31,7 0/-0,3	38,0	16,0 +0,5/0	98,0	38,1	38,0	36,0	26,0	—	23,0	15,24 kg
OEM 4.0M x 2 CM(S)	50	432,0	25,42 +0,25/0	25,42 +0,25/0	38,1 0/-0,3	90,5	38,2 +0,5/0	127,0	57,2	51,0	51,0	44,0	—	35,0	19,23 kg
OEM 4.0M x 4 CM(S)	100	533,0	25,42 +0,25/0	25,42 +0,25/0	38,1 0/-0,3	90,5	38,2 +0,5/0	127,0	57,2	51,0	51,0	44,0	—	35,0	22,41 kg
OEM 4.0M x 6 CM(S)	150	635,0	25,42 +0,25/0	25,42 +0,25/0	38,1 0/-0,3	90,5	38,2 +0,5/0	127,0	57,2	51,0	51,0	44,0	—	35,0	24,22 kg
OEM 4.0M x 8 CM(S)	200	762,0	25,42 +0,25/0	25,42 +0,25/0	38,1 0/-0,3	90,5	38,2 +0,5/0	127,0	57,2	51,0	51,0	44,0	—	35,0	34,20 kg
OEM 4.0M x 10 CM(S)	250	864,0	25,42 +0,25/0	25,42 +0,25/0	38,1 0/-0,3	90,5	38,2 +0,5/0	127,0	57,2	51,0	51,0	44,0	—	35,0	37,37 kg

※주 의 : OEM 2.0M x 6, OEM 3.0M x 6.5, OEM 4.0M x 8, OEM 4.0M x 10은 Clevis Mount를 장착하고 수평으로 사용하실 수 없습니다.

All dimensions in millimeters.

SHOCK ABSORBER

NEW PRODUCT

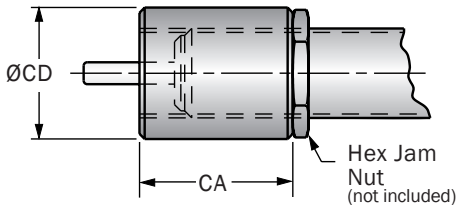
WR ISOLATOR

AIR SPRING

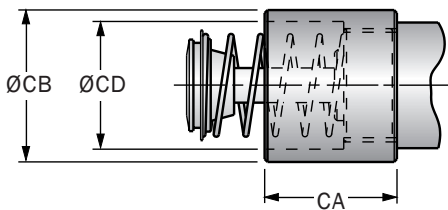
OTHER

STOP COLLAR (SC)

OEM 0.1M → OEM 1.25M
HP 110M



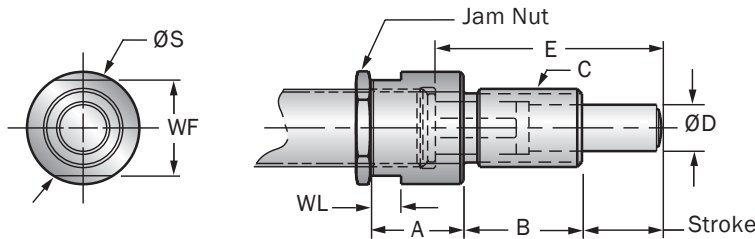
OEM 3/4 → OEM 2.0M



Catalog No.	Part Number	Model (Ref)	CA	CB	CD	Weight (g)
SC M10 x 1	M98921171	OEM 0.1M (B)	19,0	—	14,3	11
SC M12 x 1	M930289171	OEM .15M (B)	19,0	—	16,0	14
SC M14 x 1,5	M930281171	OEM .25M (B)	25,4	—	19,0	38
SC M16 x 1,5	M99018199	OEM .35M (B)	25,4	—	19,0	18
SC M20 x 1,5	M930282171	OEM .5M (B)	38,0	—	25,4	63
SC M27 x 3	M930283171	OEM 1.0M (B)	44,5	—	38,0	215
SC M25 x 1,5	M930284171	OEM 1.0M (B)	44,5	—	38,1	215
SC M36 x 1,5	M930285171	OEM 1.25M	63,5	38,0	43,0	210
SC M2½-12*	8KE2940	(LR)OEM ¾	49,0	49,6	56,5	340
SC M2½-12 x 2	8KE3010	(LR)OEM 1½ x 2 & 4	63,0	65,0	76,0	652
SC M2½-12 x 6	8KE3012	OEM 1½ x 6	93,0	65,0	76,0	936
SC M42 x 1,5 x 1	8K2940	(LR)OEM 1.5M x 1	62,0	49,0	56,0	397
SC M42 x 1,5 x 2	8K2941	(LR)OEM 1.5M x 2	75,0	49,0	56,0	539
SC M42 x 1,5 x 3	8K2942	OEM 1.5M x 3	87,0	49,0	56,0	652
SC M64 x 2 x 2	M93010057	(LR)OEM 2.0M x 2	89,0	65,0	76,0	936
SC M64 x 2 x 4	M93011057	OEM 2.0M x 4	114,0	65,0	76,0	1191
SC M64 x 2 x 6	M93012057	OEM 2.0M x 6	143,0	65,0	76,0	1475
SC M25 x 2 x 1,56	M930288171	HP 110 MC	50,8	—	38,0	215
SC M25 x 1,5 x 1,56	M931291171	HP 110 MF	50,8	—	38,0	215

All dimensions in millimeters.

SIDE LOAD ADAPTERS (SLA)

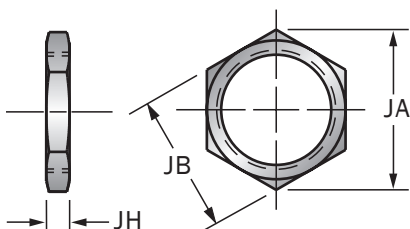


Catalog No.	Part Number	Model (Ref)	Stroke (mm)	A	B	C	D	E	S	WF	WL
SLA 10MF	SLA33457	OEM 0.1M	6,4	11	12	M10 x 1	5	21,9	13	11	4
SLA 12MF	SLA33299	OEM .15M	10,0	14	18	M12 x 1	6	32,4	16	13	7
SLA 16MF	SLA34757	(LR)OEM .35M	12,7	16	20	M16 x 1	8	39,2	20	17	7
SLA 20MF	SLA33262	(LR)OEM .5M	12,7	14	24	M20 x 1,5	11	41,5	25	22	7
SLA 25MF	SLA33263	(LR)OEM 1.0M	25,0	30	38	M25 x 1,5	15	73,2	36	32	10
SLA 27MC	SLA33296	(LR)OEM 1.0M	25,0	30	38	M27 x 3	15	73,2	36	32	10

Notes : Maximum sideload angle is 30°

All dimensions in millimeters.

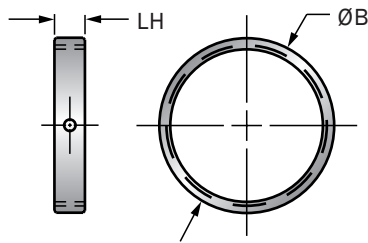
JAM NUT (JN)



Catalog No.	Part Number	Model (Ref)	JA	JB	JH	Weight (g)
JN M10 x 1	J24421035	OEM 0.1M	15,0	13,0	3,2	2
JN M12 x 1	J25588035	OEM .15M	17,0	15,0	4,0	2
JN M14 x 1,5	J23935035	(LR)OEM .25M	19,7	17,0	4,0	3
JN M16 x 1,5	J230844167	(LR)OEM .35M	20,0	19,0	6,0	5
JN M20 x 1,5	J22646035	(LR)OEM .5M	27,7	24,0	4,6	9
JN M27 x 3	J22587035	(LR)OEM 1.0M	37,0	32,0	4,6	15
JN M25 x 1,5	J23004035	(LR)OEM 1.0MF	37,0	32,0	4,6	15
JN M36 x 1,5	J23164035	(LR)OEM 1.25M	47,3	41,0	6,4	27

All dimensions in millimeters.

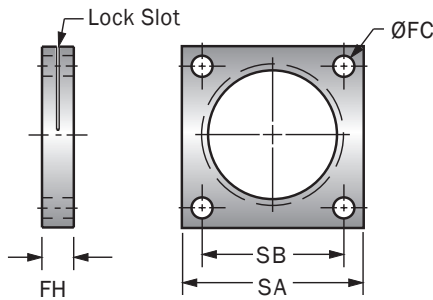
LOCK RING (LR)



Catalog No.	Part Number	Model (Ref)	B	LH	Weight (g)
LR 1 ³ / ₄ -12	F8E2940049	(LR)OEM 3/4	50,8	9,5	57
LR 2 ¹ / ₂ -12	F8E3010049	(LR)OEM 1 ¹ / ₈	73,0	9,5	85
LR M42 x 1,5	F82940049	(LR)OEM XT 1.5M	50,8	9,6	85
LR M64 x 2	F83010049	(LR)OEM XT 2.0M	73,0	12,7	114
LR M85 x 2	F83330049	OEM 3.0M	98,2	16,0	226
LR M115 x 2	F83720049	OEM 4.0M	126,7	22,4	397

All dimensions in millimeters.

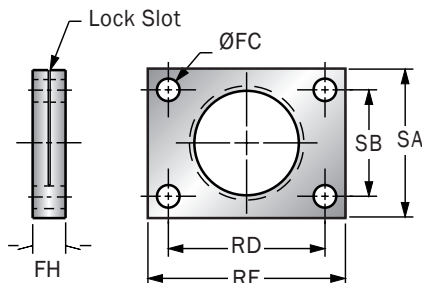
SQUARE FLANGE (SF)



Catalog No.	Part Number	Model (Ref)	FC	FH	SA	SB	Bolt Size	Weight (g)
SF 1 ³ / ₄ -12	M4E2940056	(LR)OEM 3/4	8,6	12,7	57,2	41,4	M8	140
SF 2 ¹ / ₂ -12	M4E3010056	(LR)OEM 1 ¹ / ₈	10,4	15,7	90,0	70,0	M10	570
SF M42 x 1,5	M42940056	(LR)OEM XT 1.5M	8,6	12,7	57,2	41,4	M8	140
SF M64 x 2	M43010056	(LR)OEM XT 2.0M	10,4	15,7	90,0	70,0	M10	570
SF M85 x 2	M43330056	OEM 3.0M	13,5	19,0	101,6	76,2	M13	680
SF M115 x 2	M43720056	OEM 4.0M	16,5	25,4	139,7	111,3	M16	1 590

All dimensions in millimeters.

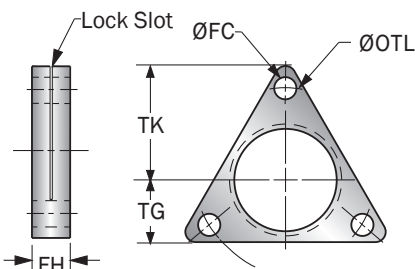
RECTANGULAR FLANGE (RF)



Catalog No.	Part Number	Model (Ref)	FC	FH	RD	RE	SA	SB	Bolt Size	Weight (g)
RF M33 x 1,5	N121049141	(LR)OEM 1.15M	5,5	9,5	41,3	50,8	44,5	28,6	M5	30
RF M36 x 1,5	N121293129	(LR)OEM 1.25M	5,5	9,5	41,3	58,8	44,5	28,6	M5	30
RF 1 ³ / ₄ -12	M5E2940053	(LR)OEM 3/4	8,6	12,7	60,5	76,2	57,2	41,4	M8	250
RF M42 x 1,5	M52940053	(LR)OEM XT 1.5M	8,6	12,7	60,5	76,2	57,2	41,4	M8	260
RF M64 x 2	-	(LR)OEM XT 2.0M	10,4	15,7	83,5	105,0	90,0	70,0	M10	620
RF M85 x 2	M53330053	OEM 3.0M	13,5	19,1	101,6	127,0	101,6	76,2	M13	1 040

All dimensions in millimeters.

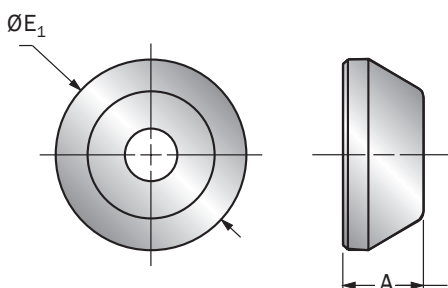
TRIANGULAR FLANGE (TF)



Catalog No.	Part Number	Model (Ref)	FC	FH	TG	TK	TL	Bolt Size	Weight (g)
TF M42 x 1,5	M3 2940 093	(LR)OEM 1.15M	8,7	12,7	26,2	40,6	63,5	M8	170
TF M64 x 2	M3 3010 093	(LR)OEM XT 2.0M	10,4	15,7	39,6	60,5	98,6	M10	450
TF M85 x 2	M3 3330 093	OEM 3.0M	13,5	19,0	54,1	81,0	127,0	M13	1000
TF M115 x 2	M3 3720 093	OEM 4.0M	16,5	25,4	73,2	101,6	158,8	M16	1025

All dimensions in millimeters.

Urethane Striker Cap (UC)



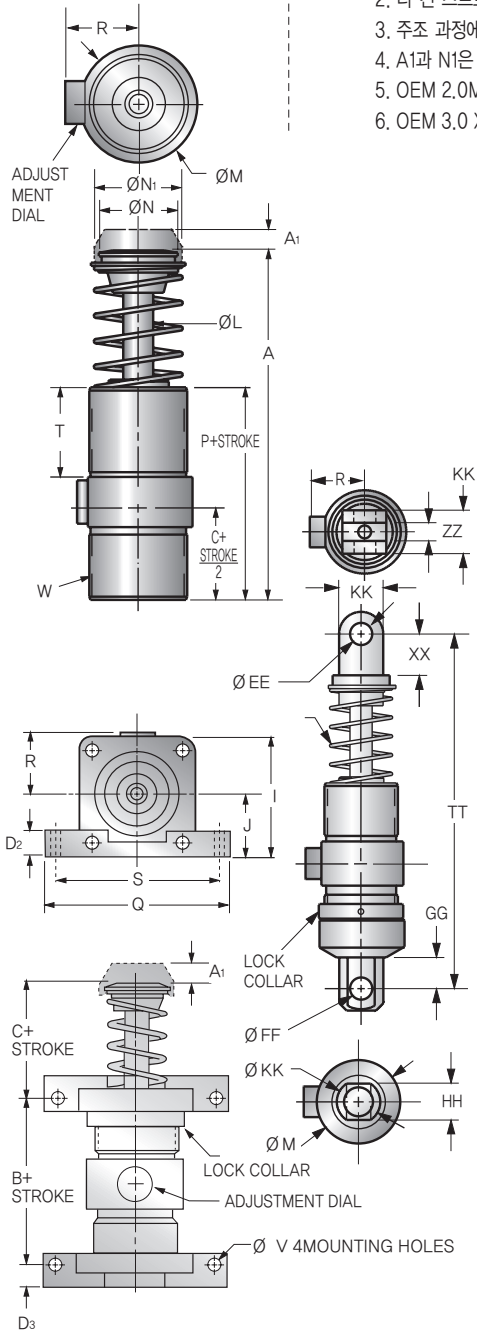
Catalog No.	Part Number	Model (Ref)	A	E ₁	Weight (g)
UC 8609	C98609079	(LR)OEM 1.15/1.25M	14,7	35,0	6
UC 2940	C92940079	(LR)OEM 3/4	24,5	44,5	14
UC 3010	C93010079	(LR)OEM 1 ¹ / ₈	24,1	57,0	23
UC 2940	C92940079	(LR)OEM XT 1.5M	24,5	44,5	14
UC 3010	C93010079	(LR)OEM XT 2.0M	24,1	57,0	23
UC 3330	C93330079	OEM 3.0M	31,4	76,0	85
UC 3720	C93720079	OEM 4.0M	37,5	95,0	170

All dimensions in millimeters.

FOOT MOUNT KIT (FM)

- 주 의 : 1. OEM 2.0M 과 4.0M 모델을 수평취부할 때는 스트로크가 길므로 Rear Mount를 하지 않는게 좋다.
- 2. 더 긴 스트로크는 CBOEM모델에서만 가능하다.
- 3. 주조 과정에서 이용할 때는 본사에 의뢰하십시오.
- 4. A1과 N1은 우레탄 캡 이용시 치수이다.
- 5. OEM 2.0M X 6에서 C는 70mm이다.
- 6. OEM 3.0 X 6.5에서 C는 80mm이다.

- 7. OEM 4.0M X 8에서 4.0M X 10에서 C는 62mm이다.
- 8. Foot Mount 중량은 본사에 의뢰하십시오.
- 9. Clevis Mant 허용치는 본사에 의뢰하십시오.
- 10. 부수적인 장비와 Clevis Mount중량은 본사에 의뢰하십시오.
- 11. OEM 2.0M X 6과 4.0M X 10제품은 Clevis Mount하지 않는게 좋다.
- 12. OEM 4.0의 Clevis 높이는 50mm이다.



MOUNTING DIMENSIONS

Models OEM & AOEM	Stroke mm	A	M	W	N	R	P	A1	N1	L	T	주 의
(LR) 1.5M x 1	25	145	50	M42 x 1.5	38	38	70	17	45	13	32	2,4
(LR) 1.5M x 2	50	195									45	
(LR) 1.5M x 3	75	245									57	
(LR) 2.0M x 2	50	225	75	M64 x 2	50	48	90	17	57	19	50	1,2,4
(LR) 2.0M x 4	100	325									75	
(LR) 2.0M x 6	150	457	100	M85 x 2	70	57	90	19	76	22	75	2,3,4
3.0M x 2	50	245									70	
3.0M x 3.5	90	325									80	
3.0M x 5	125	400									80	
3.0M x 6.5	165	495	127	M115 x 2	90	75	150	22	95	35	80	1,2,4
4.0M x 2	50	315									108	
4.0M x 4	100	415									105	
4.0M x 6	150	515									108	
4.0M x 8	200	645									108	
4.0M x 10	250	745	108									

CLEVIS MODEL MOUNTING DIMENSIONS

Models OEM & AOEM	Stroke mm	TT	M	KK	HH	FF	GG	EE	XX	ZZ	주 의
(LR) 1.5M x 1	25	200	50	25	19	13	22	10	26	12	9,10
(LR) 1.5M x 2	50	250									
(LR) 1.5M x 3	75	300									
(LR) 2.0M x 2	50	305	75	38	32	19	27	19	36	16	9,10,11
(LR) 2.0M x 4	100	410									
(LR) 2.0M x 6	150	535	100	38	32	19	27	19	36	16	9,10
OEM3.0M x 2	50	325									
OEM3.0M x 3.5	90	405									
OEM3.0M x 5	125	480									
OEM3.0M x 6.5	165	575									
OEM4.0M x 2	50	430	127	57	38	26	44	26	51	38	9,10,11,12
OEM4.0M x 4	100	535									
OEM4.0M x 6	150	635									
OEM4.0M x 8	200	760									
OEM4.0M x 10	250	865									

FOOT MODEL MOUNTING DIMENSIONS

Models OEM & AOEM	B	C	D2	A1	V	I	J	S	Q	R	D3	Bolt Size	주 의
(LR) 1.5M	60	27	13	17	8.5	60	30	76	95	38	13	8	4,8
(LR) 2.0M	75	40	16	17	10	90	45	124	145	48	15	8	4,5,8
3.0M	80	60	22	19	13.5	105	52	140	165	57	17	13	4,6,8
4.0M	190	37	38	22	16.5	150	80	165	205	75	22	16	4,7,8